

CREATE  
YOUR STYLE  
with SWAROVSKI ELEMENTS

DESIGN PROJECT

MOTHER'S DAY  
**EARRINGS**  
"SWINGING HEARTS"



# MOTHER'S DAY EARRINGS "SWINGING HEARTS"



## SWAROVSKI ELEMENTS

## Supplies & Tools

### Version 1

Article	Product Group	Article No.	Amount	Size	Color	Color Code
	Pendants	6264	2 pcs.	18 mm	Crystal AB	001 AB

### Supplies

- 2x French ear wire, silver
- 2x Jump ring, silver, Ø 5 mm
- Wire, silver, Ø 1.2 mm, 20 cm

### Tools

- Drinking glass
- Flat nose pliers
- Pencil, Ø 12 mm
- Round nose pliers
- Side cutter

### Version 2

Article	Product Group	Article No.	Amount	Size	Color	Color Code
	Pendants	6264	2 pcs.	18 mm	Crystal Astral Pink	001 API

### Supplies

- 2x French ear wire, silver
- 2x Jump ring, silver, Ø 5 mm
- Wire, silver, Ø 1.2 mm, 20 cm

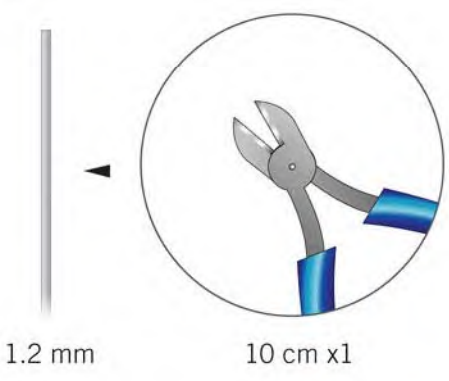
### Tools

- Drinking glass
- Flat nose pliers
- Pencil, Ø 12 mm
- Round nose pliers
- Side cutter

Level of design: BEGINNER

Have also a look at the **text instruction** at the last page!

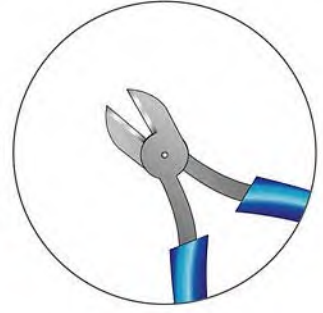
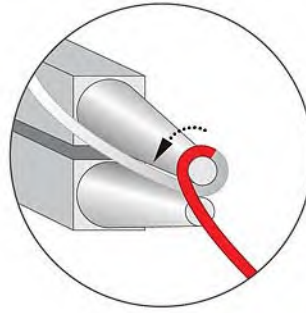
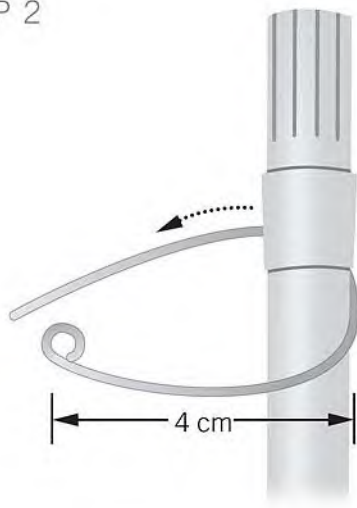
## STEP 1



Repeat step x1

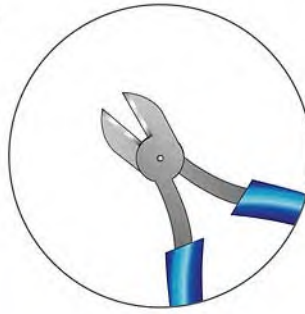


STEP 2

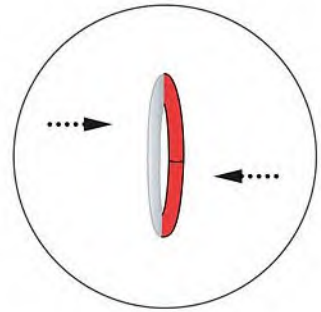
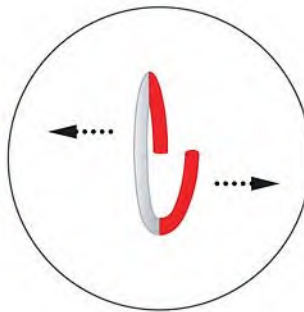
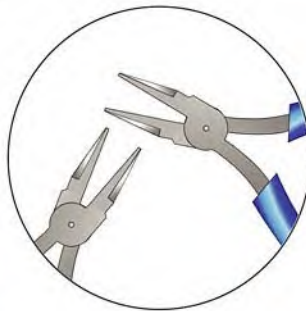


Repeat step x1

STEP 3



STEP 4



Repeat steps 3 - 4 x1:



Repeat steps 1 - 4 x1:



## MOTHER'S DAY EARRINGS "SWINGING HEARTS"



- STEP 1: Cut 10cm of the silver wire (1.2mm) and bend it around a drinking glass as shown in the illustrations. Repeat this step again to get another bended wire piece of same length and shape.
- STEP 2: Form a loop on one end of the wire using round nose pliers and cut off the excess. Measure 4cm in on the wire and bend it using a pencil or pen as shown in the illustrations. Repeat this step to get one more similar piece.
- STEP 3: Slide the Swarovski Heart Pendant article 6264 18mm Crystal AB into this wire as shown. Cut off the excess wire after bending it to close the gap.
- STEP 4: Attach a French ear wire to the loop using a 5mm jump ring as shown in the illustrations. Repeat steps 3 and 4 to complete the other earring.