

**Corde parachute 550**

**Parachute Cord 550**



**TTPARA4/GL**  
dore/gold  
4mm diameter  
4 meters, (16 ft)



**TTPARA4/FCAMO**  
camo forest/forest camo  
4mm diameter  
4 meters, (16 ft)



**TTPARA4/GM**  
gris acier/gun metal  
4mm diameter  
4 meters, (16 ft)



**TTPARA4/WHT**  
blanc/white  
4mm diameter  
4 meters, (16 ft)



**TTPARA4/MRN**  
bordeaux/maroon  
4mm diameter  
4 meters, (16 ft)



*550 Type 3  
~ 550 Lb.  
7 strands  
tight nylon*

**TTPARA4/PK**  
rose/pink  
4mm diameter  
4 meters, (16 ft)



**TTPARA4/ACAMO**  
camo armée/army camo  
4mm diameter  
4 meters, (16 ft)



**TTPARA4/DCAMO**  
camo desert/desert camo  
4mm diameter  
4 meters, (16 ft)



**TTPARA4/NAV**  
bleu marine/navy  
4mm diameter  
4 meters, (16 ft)



**TTPARA4/BLK**  
noir/black  
4mm diameter  
4 meters, (16 ft)



**TTPARA4/ROY**  
bleu royal/royal blue  
4mm diameter  
4 meters, (16 ft)



**TTPARA4/RED**  
rouge/red  
4mm diameter  
4 meters, (16 ft)

**Fermeurs en plastique**

**Plastic Clasps**



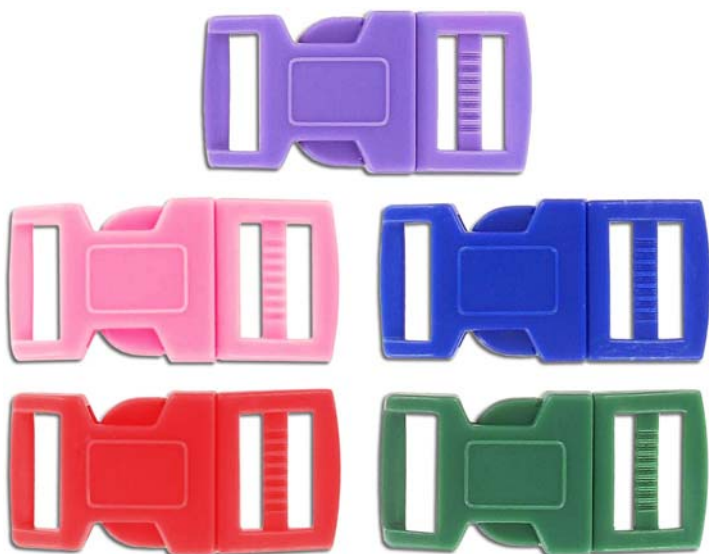
**CLPC10D/BLK**  
 28x11mm, ID 10mm  
 noir/black



**CLPC12MM/BLK**  
 29x15mm, ID 12mm  
 noir/black



**CLPC15MM/BLK**  
 42x21, ID 15mm  
 noir/black



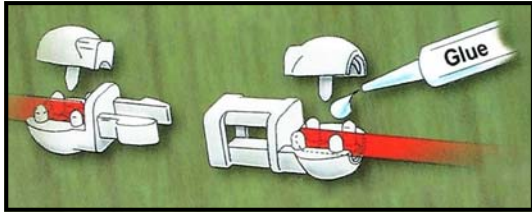
**CLPC15MM/ASST**  
 42x21mm, ID 15mm



**CLPC20MM/BLK**  
 49x25mm, ID 20mm  
 noir/black

**Fermeurs en plastique**

**Plastic Clasps**

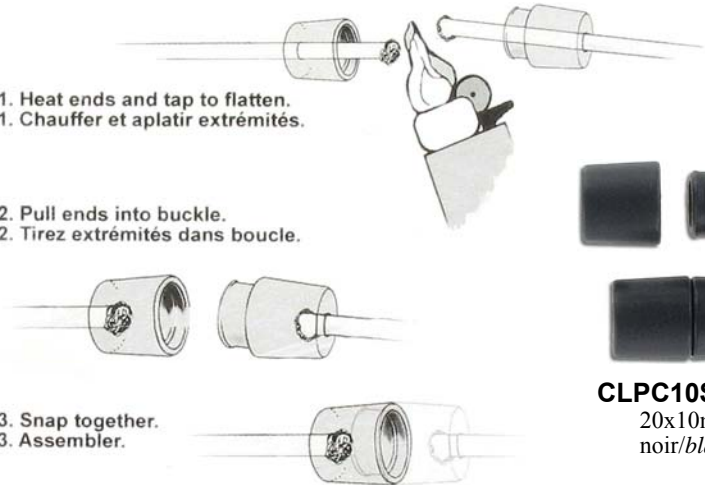


**CLPC10R/BLK**  
 33x11mm  
 noir/black

1. Heat ends and tap to flatten.
1. Chauffer et aplatir extrémités.

2. Pull ends into buckle.
2. Tirez extrémités dans boucle.

3. Snap together.
3. Assembler.



**CLPC10S/BLK**  
 20x10mm  
 noir/black

You can use an overhand knot if using the Parachute Cord 325.  
 Vous pouvez utiliser un pronation noeud si vous utilisez le cordon Parachute 325.



**CLPC25MM/BLK**  
 65x32mm, ID25mm  
 noir/black